



# 2 Megapixel LPR Network Camera VTW-LPR-313IP

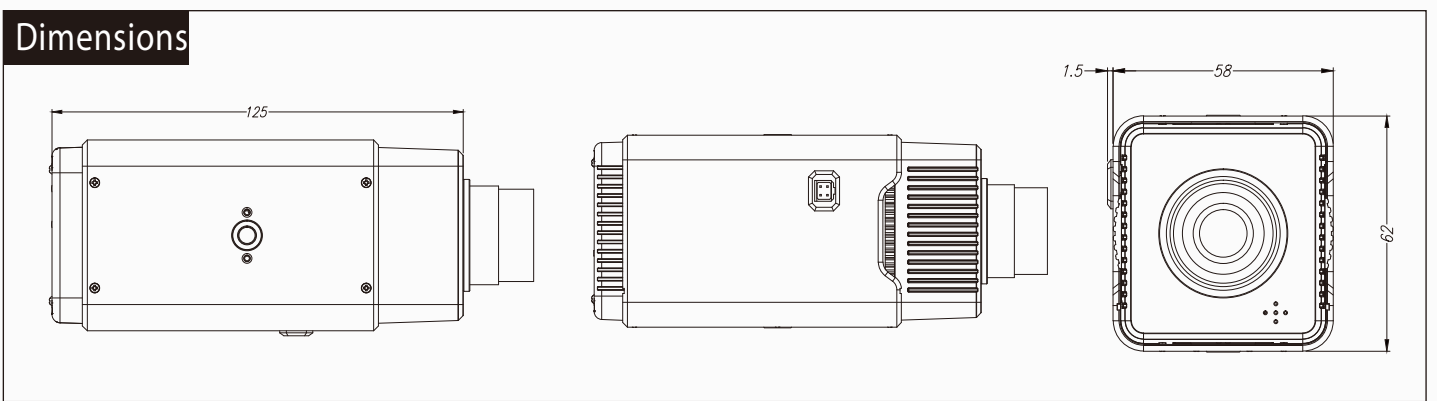
- 2 Megapixel high resolution
- 1080p resolution, Real-time from Sony Exmor™ CMOS image sensor
- Auto Back Focus
- Clear Plate number view with Head light and Low light of the Truck
- H.264 Base line, Main-Profile, Hi-Profile
- ICR for Day and Night Surveillance without color shift
- Support ONVIF protocol
- Build-in microphone and adjustable audio output gain
- 1 Digital In and 1 Digital Out (DI/O)
- Tampering detection
- Audio detection
- Built-in micro SD card slot for local storage
- Support Power over Ethernet (POE)

Camera	
Image Device	Sony Exmor™ 1/2" size Sony Exmor image sensor
Effective Pixels	1920x1080 pixels
Lens	Clear view plate number at least 15M in both the day and night, vari focal, auto focus
Focus	Auto Back Focus
ICR type	Mechanical
Video	
Video Encoder	H.264 and MJPEG simultaneously
Video Profile	Dual stream for WDR mode (Resolution Adjustable)
Anti -Glare	Clear Plate number view with Head light and Low light of the Truck
Frame Rate	Up to 60fps for 60fps mode Up to 30fps for WDR mode
Exposure Control	Auto / Auto Indoor / Manual Exposure (Manual mode : 1/2~1/10,000 seconds) Photometry Method : Average / Center / Spot / BLC / FLC
Image Setting	<ul style="list-style-type: none"> <li>● AE, AWB</li> <li>● 3D Noise reduction</li> <li>● True WDR</li> <li>● Exposure value, Color, Hue , Brightness, Contrast, Sharpness,</li> <li>● Mirror/Flip</li> <li>● DIS</li> <li>● Privacy Masks</li> </ul>
On Screen Display	Text, time and date overlay Editable OSD (bitmap format)
Streaming	<ul style="list-style-type: none"> <li>● Simultaneously dual streaming</li> <li>● Streaming over UDP, TCP, HTTP, or HTTPS</li> <li>● M-JPEG streaming over HTTP (server push)</li> <li>● Controllable frame rate and bandwidth</li> <li>● Constant and variable bit rate (H.264)</li> <li>● AOI</li> </ul>
Audio	
Audio Encoder	RTSP: G.711 64kbps, G.726 32kbps, AAC (option, by request)
Audio Streaming	One-way or two-way
Microphone	Built-in and external microphone
Audio Output	Adjustable audio output gain
Network	
Supported Protocols	IPv6, IPv4, TCP, UDP, HTTP, HTTPS, SMTP, FTP, NTP, DNS, DDNS, DHCP, DIPS, ARP, Bonjour, UPnP, RTSP, RTP, RTCP, IGMP, PPPoE, 3GPP, Samba, ICMP, SNMP
Security	Password protection, IP address filtering, HTTPS encrypted data transmission, user access log
Users	20 simultaneous unicast users
Ethernet	10/100/1000M auto negotiation
System Integration	
Application Programming Interface	<ul style="list-style-type: none"> <li>● ONVIF</li> <li>● Open API for software integration</li> <li>● SDK</li> </ul>
Event Detection	<ul style="list-style-type: none"> <li>● External input (DI)</li> </ul>
Object Detection	Detection with Entrance , Desertion or Theft options
Audio Detection	Audio level 0-100
Camera Tampering	Camera dis-focus / move direction / mask
Cross Line	User defined two cross line , and user defined entrance direction
Alarm Events	<ul style="list-style-type: none"> <li>● File upload via FTP or email</li> <li>● File upload via Samba to NAS</li> <li>● Notification via email, HTTP, and TCP</li> <li>● External output activation</li> <li>● Audio alerting output</li> <li>● mSD card local storage</li> <li>● Push notify to smart phone apps</li> </ul>
Video Buffer	Pre- and post- alarm buffering
General	
RAM	384MB
ROM	256MB
Power Supply	12V DC external power adapter or AC24V
PoE	IEEE 802.3af class 3
Power Consumption	Max. 8W (12V DC in)
Connectors	<ul style="list-style-type: none"> <li>● RJ-45 10Base-T/100Base-TX/1000Base-T</li> <li>● 12VDC power jack</li> <li>● AC24V Terminal (option)</li> <li>● 1 alarm input and 1 output</li> <li>● RS485</li> <li>● Audio out</li> <li>● External MIC input</li> <li>● Factory default reset</li> <li>● mSD card</li> </ul>
Indication LED	Green and orange LEDs
Operating Temperature	0°C to 50°C (32°F to 104°F)
Operating Humidity	20% ~ 80% (non-condensing)
Viewing System	
OS	Windows® XP, Vista, 7, 8 , 8.1
Browser	IE 7.0 or later, Firefox 2.0 or later, Safari , Google Chrome
Video Player	VLC, Quick Time, Real Player, Core Player
Software	
Afidus Cloud Service™, Afidus DDNS Service™, Afidus Smart Phone Apps, Afidus NVR64™	

Distributed by :



※ The product design and dimensions may change without previous notice for improvement of performance.



**Afidus**  
 Company Name : Afidus Ltd.  
 Company Address : 7F-4, No. 186, Jian 1st Rd., Zhonghe Dist.,  
 New Taipei City 235, Taiwan (R.O.C)  
 Company Website : www.afidus.com  
 TEL : +886-2-8226-9857 FAX : +886-2-8226-9800