



2 Megapixel LPR Network Camera

VTW-LPR-313IB



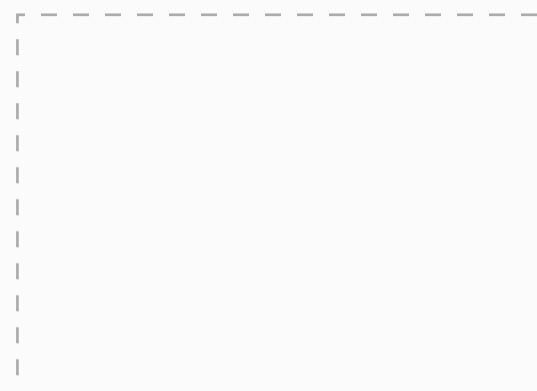
- 2 Megapixel high resolution
- 1080p resolution, Real-time from Sony Exmor™ CMOS image sensor
- Smart Focus motorized zoom lens
- Clear Plate number view with Head light and Low light of the Truck
- H.264 Base line, Main-Profile, Hi-Profile
- ICR for Day and Night Surveillance without color shift
- Support ONVIF protocol
- Build-in microphone and adjustable audio output gain
- 1 Digital In and 1 Digital Out (DI/O)
- Tampering detection
- Audio detection
- Support Power over Ethernet (POE)

| Camera | |
|---------------------|--|
| Image Device | Sony Exmor™ 2.41 Mega-pixel image sensor, 1/2.8" size |
| Effective Pixels | 1920x1080 pixels |
| Lens | Clearly view the plate number about 15m in the day and 9M in the night; auto focus |
| Focus | Auto Focus |
| ICR type | Mechanical |
| IP Module | |
| Video | |
| Video Encoder | H.264 and MJPEG simultaneously |
| Video Profile | Dual stream for WDR mode (Resolution Adjustable) |
| Anti -Glare | Clear Plate number view with Head light and Low light of the Truck |
| Frame Rate | Up to 60fps for 60fps mode Up to 30fps for WDR mode |
| Exposure Control | Auto / Auto Indoor / Manual Exposure (Manual mode : 1/2~1/10,000 seconds) Photometry Method : Average / Center / Spot / BLC / FLC |
| Image Setting | <ul style="list-style-type: none"> ● AE, AWB ● 3D Noise reduction ● True WDR ● Exposure value, Color, Hue , Brightness, Contrast, Sharpness, ● Mirror/Flip ● DIS ● Privacy Masks |
| On Screen Display | Text, time and date overlay Editable OSD (bitmap format) |
| Streaming | <ul style="list-style-type: none"> ● Simultaneously dual streaming ● Streaming over UDP, TCP, HTTP, or HTTPS ● M-JPEG streaming over HTTP (server push) ● Controllable frame rate and bandwidth ● Constant and variable bit rate (H.264) ● AOI |
| Audio | |
| Audio Encoder | RTSP: G.711 64kbps, G.726 32kbps, AAC (option, by request) |
| Audio Streaming | One-way or two-way |
| Microphone | Built-in and external microphone |
| Audio Output | Adjustable audio output gain |
| Network | |
| Supported Protocols | IPv6, IPv4, TCP, UDP, HTTP, HTTPS, SMTP, FTP, NTP, DNS, DDNS, DHCP, DIPS, ARP, Bonjour, UPnP, RTSP, RTP, RTCP, IGMP, PPPoE, 3GPP, Samba, ICMP, SNMP |
| Security | Password protection, IP address filtering, HTTPS encrypted data transmission, user access log |
| Users | 20 simultaneous unicast users |
| Ethernet | 10/100/1000M auto negotiation |

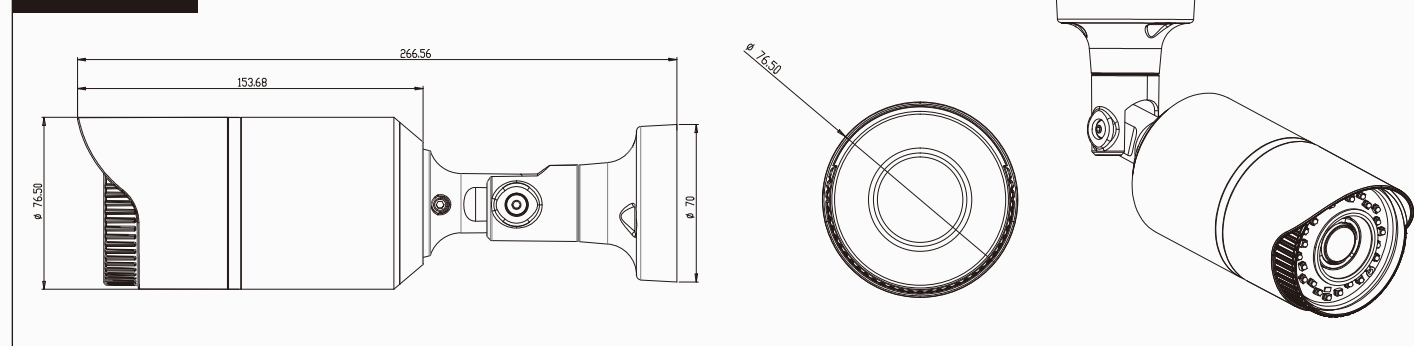
| System Integration | |
|---|---|
| Application Programming Interface | <ul style="list-style-type: none"> ● ONVIF ● Open API for software integration ● SDK |
| Event Detection | <ul style="list-style-type: none"> ● External input (DI) |
| Object Detection | Detection with Entrance , Desertion or Theft options |
| Audio Detection | Audio level 0-100 |
| Camera Tampering | Camera dis-focus / move direction / mask |
| Cross Line | User defined two cross line , and user defined entrance direction <ul style="list-style-type: none"> ● File upload via FTP or email ● File upload via Samba to NAS ● Notification via email, HTTP, and TCP ● External output activation ● Audio alerting output ● mSD card local storage ● Push notify to smart phone apps |
| Alarm Events | |
| Video Buffer | Pre- and post- alarm buffering |
| General | |
| RAM | 384MB |
| ROM | 256MB |
| Power Supply | 12V DC external power adapter or AC24V |
| PoE | IEEE 802.3af class 3 |
| Power Consumption | Max. 8W (12V DC in) <ul style="list-style-type: none"> ● RJ-45 10Base-T/100Base-TX/1000Base-T ● 12VDC power jack ● AC24V Terminal (option) ● 1 alarm input and 1 output ● RS485 ● Audio out ● External MIC input ● Factory default reset |
| Connectors | |
| Indication LED | Green and orange LEDs |
| Construction | IP66 weather proof |
| Operating Temperature | -20°C to 50°C (- 4°F to 104°F) |
| Operating Humidity | 20% ~ 80% (non-condensing) |
| Viewing System | |
| OS | Windows® XP, Vista, 7, 8 , 8.1 |
| Browser | IE 7.0 or later, Firefox 2.0 or later, Safari , Google Chrome |
| Video Player | VLC, Quick Time, Real Player, Core Player |
| Software | |
| Afidus Cloud Service™, Afidus DDNS Service™, Afidus Smart Phone Apps, Afidus NVR64™ | |

※ The product design and dimensions may change without previous notice for improvement of performance.

Distributed by :



Dimensions



Company Name : Afidus Ltd.

Company Address : 7F-4, No. 186, Jian 1st Rd., Zhonghe Dist., New Taipei City 235, Taiwan (R.O.C)

Company Website : www.afidus.com

TEL : +886-2-8226-9857 FAX : +886-2-8226-9800